

滾輪 Rollers



公司簡介

原億昌機械將近四十年的生產經驗，擁有 ISO 9001 認證，與經濟部工研院產學合作，因應目前全球智能製造的趨勢，提供傳動系列零配件與設備，包含齒條（排齒）、導軌齒條、齒輪、滾輪、行星減速機和消除減速機等產品。

廣大客群包含各行業領域例如：CNC 機台、工具母機、木工機、印刷機、切割機、龍門銑床、磨床、鑽床、彎管機、機器人手臂、自動化倉儲設備、自動上下料軌道、沙灘車、汽車、航空母艦、半導體設備廠、起重機等。

原億昌產品優良，於 2015 年榮獲台灣第 12 屆國家品牌玉山獎，傑出企業類；2016 年極度精密齒條齒輪組，榮獲第十三屆國家品牌玉山獎最佳產品獎，與金炬獎十大績優商品獎。

原億昌以自有品牌 YYC 行銷市場，” You drive, You Control!” 你驅動，你掌控！為企業標語，目標是客戶所使用的驅動零件品質卓越，效能皆在客戶的掌控之中，將產品定位於中高端市場，已經行銷近五十多個國家，提供更多客戶滿意，是我們持續努力的目標。

COMPANY PROFILE

Yuan Yi Chang Machinery has 40 years of experience, with ISO 9001 certificate and work projects with Industrial Technology Research Institute. Corresponding to smart manufacturing trend globally, YYC offers different series of transmission parts and equipment including Rack, Guideway Rack, Pinion, Roller, Planetary Reducers, Backlash Free Reducers.

Our major clients include all kinds of industries and fields such as CNC machines, machine centers, wood-cutting machines, printing machines, cutting machines, gantry milling machines, grinding machines, drilling machines, bending machines, robotic arms, automatic storage equipment, automatic upload & unload track, ATV, aircraft carrier, semiconductor plant, cranes, and so on.

YYC has excellent quality capability. In 2015, we earned Best Enterprise of National Brand Yu-Shan Award. In 2016, our Ultra High Precision Rack and Pinion won Best Products of National Brand Yu-Shan Award and Golden Torch Prize.

Yuan Yi Chang has marketed by brand name “YYC” which means “You drive, You Control!” Every driven part with outstanding quality, so the performance is under customer’s control. Products are target on middle to high end markets. Currently, we are exporting nearly 50 countries. To have more customers’ satisfactions is our continuous goal.



世界主要齒條與齒輪標準規範

World Major Standard Specification of Racks and Pinions

簡稱 Specification	中文名稱	Full Name
AGMA	美國齒輪製造協會	American Gear Manufacturers Association
DIN	德國標準化學會	Deutsches Institut für Normung
ISO	國際標準化組織	International Organization for Standardization
JIS	日本工業標準	Japanese Industrial Standards

精度等級對照表

Quality Grade Comparison Table

規格 Standard	精 度 等 級 / Quality Grade											
ISO	1	2	3	4	5	6	7	8	9	10	11	12
DIN		2	3	4	5	6	7	8	9	10	11	12
AGMA		15	14	13	12	11	10	9	8	7	6	5
JIS				0	1	2	3	4	5	6	7	8
JIS N				N4	N5	N6	N7	N8	N9	N10		

以節距誤差比較：F_p f_p

Compared with Pitch Error: F_p f_p

滾輪目錄 Contents of Rollers



UV	型號 Code	材料 Material	齒條型狀 Type	心軸外徑 Shaft Dia.	頁碼 Page
	UV	SUJ2 (100Cr6)	導軌滾輪 V Type Roller	15 20 25 35	P.120
UR	型號 Code	材料 Material	齒條型狀 Type	心軸外徑 Shaft Dia.	頁碼 Page
	UR	SUJ2 (100Cr6)	平軌滾輪 Round Rolle	15 20 25 35	P.120

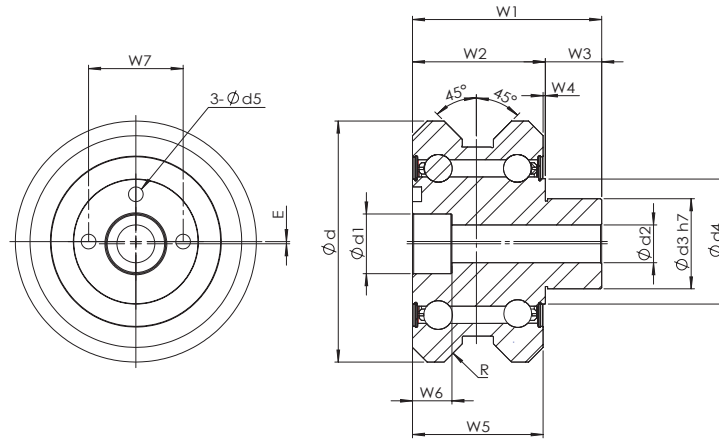


滾輪
Roller

滾輪型號說明 Rollers Code Instrction

1st	2nd	3rd	4th
材料 Material	型狀 Type	心軸外徑 Shaft Dia.	偏心量 Excenter
U= 軸承鋼	V= V 型 R= 圓型	15 20 25 35	Y=1mm N=0mm
U=SUJ2 (100Cr6)	V= V Type R=Round		Y=1mm N=0mm

UV 導軌滾輪
V Type Roller



單位 / Dimension : mm

系列 UV 導軌滾輪

材料 SUJ2
形狀 V 型
硬度 HRC 60~64°
徑向間隙 0~0.01 mm

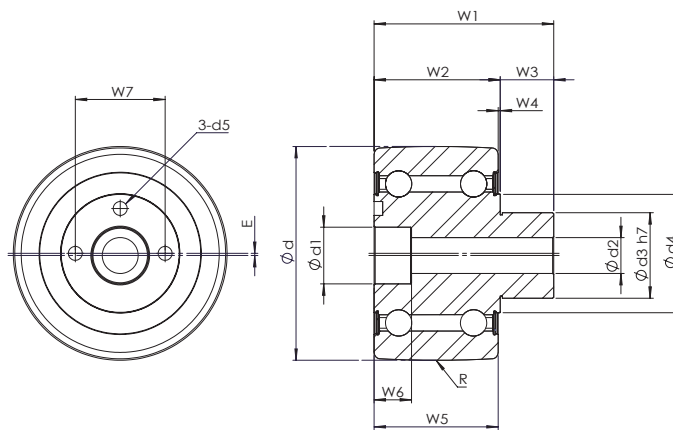
Series UV V Type Roller

Material SUJ2
Type: V Type
Hardness: HRC 60~64°
Radial Tolerance 0~0.01 mm

型號 Code	心軸外徑 Shaft Dia.	偏心量 Excenter	ød	ød1	W1	W2	W3	W4	W5	W6	W7	R	ød2	ød3	ød4	ød5	動額定 Cr(KN)	靜額定 Cor(KN)	KG
UV15Y	15	1 mm	53	13.5	35	23	12	1	22	9	18.5	R250	8.4	15	23	2.36x4	14.40	8.47	0.2
UV15N	15	0 mm	53	13.5	35	23	12	1	22	9	18.5	R250	8.4	15	23	2.36x4	14.40	8.47	0.2
UV20Y	20	1 mm	63	16.5	46	31	15	1	30	17.5	22.5	R300	10.5	20	26.7	2.2x3	15.76	10.18	0.5
UV20N	20	0 mm	63	16.5	46	31	15	1	30	17.5	22.5	R300	10.5	20	26.7	2.2x3	15.76	10.18	0.5
UV25Y	25	1 mm	77	20	60	40	20	1	39	17.5	27.5	R360	13.0	25	35.4	4x4	26.46	18.10	1.0
UV25N	25	0 mm	77	20	60	40	20	1	39	17.5	27.5	R360	13.0	25	35.4	4x4	26.46	18.10	1.0
UV35Y	35	1 mm	107	26.5	84	59	25	1	58	17.5	42	R500	16.8	40	55.55	6.5x5	45.15	35.15	2.5
UV35N	35	0 mm	107	26.5	84	59	25	1	58	17.5	42	R500	16.8	40	55.55	6.5x5	45.15	35.15	2.5

滾輪
Roller

UR 平軌滾輪
Round Roller



單位 / Dimension : mm

系列 UR 平軌滾輪

材料 SUJ2
形狀 圓型
硬度 HRC 60~64°
徑向間隙 0~0.01 mm

Series UR Round Roller

Material SUJ2
Type: Round
Hardness: HRC 60~64°
Radial Tolerance 0~0.01 mm

型號 Code	心軸外徑 Shaft Dia.	偏心量 Excenter	ød	ød1	W1	W2	W3	W4	W5	W6	W7	R	ød2	ød3	ød4	ød5	動額定 Cr(KN)	靜額定 Cor(KN)	KG
UR15Y	15	1 mm	47	13.5	35	23	12	1	22	9	18.5	R500	8.4	15	23	2.36x4	14.40	8.47	0.2
UR20Y	20	1 mm	72	16.5	46	31	15	1	30	17.5	22.5	R500	10.5	20	26.7	2.2x3	15.76	10.18	0.6
UR25Y	25	1 mm	85	20	60	40	20	1	39	17.5	27.5	R500	13	25	35.4	4x4	26.46	18.10	1.0
UR35Y	35	1 mm	100	26.5	84	59	25	1	58	17.5	42	R500	16.8	40	55.55	6.5x4	45.15	35.15	2.7



SINCE 1980



原億昌機械股份有限公司

- ◆台灣41469台中市烏日區
溪南路三段752號
- ◆電話: +886 4 23357828
- ◆傳真: +886 4 23356732
- ◆<https://www.yycdrives.com>

Yuan Yi Chang Machinery Co., Ltd.

- ◆No. 752, Sec. 3, Xinan Rd., Wuri Dist.,
Taichung City 41469, Taiwan
- ◆TEL: +886 4 23357828
- ◆FAX: +886 4 23356732
- ◆E-mail: info@yycdrives.com